

Air Flow Company, Inc.

850 W. Fullerton Ave. • Addison, IL. 60101
Tel (630) 628-1138 Fax (630) 628-1149

TS-05

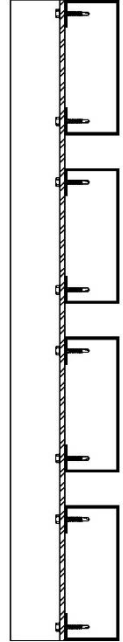
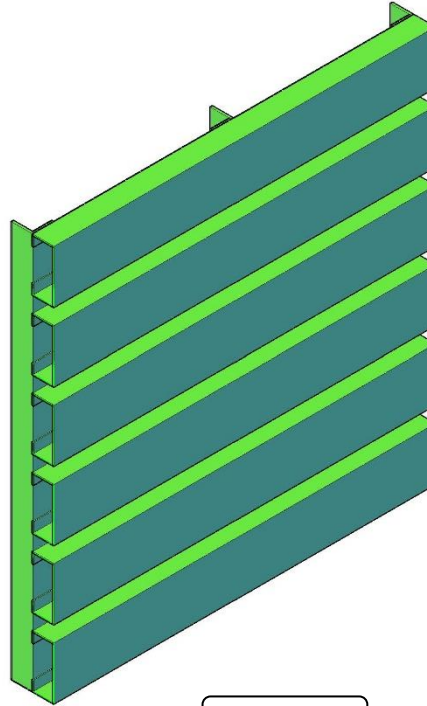
5" Aluminum Tube Screen

Standard Louver Construction

✓ Frame	Frameless
✓ Blades Thickness	2" x 5" x .081" formed aluminum
✓ Blade Positioning	6 1/4" spacing center to center
✓ Support	2" x 2" x 3/16" extruded Aluminum angle
✓ Finish	Mill
✓ Undersized	1/4" under opening sizes
✓ Mullions	Invisible
✓ Minimum Size	12" x 12"
✓ Maximum Single Section	120" x 84" or 84" x 120"

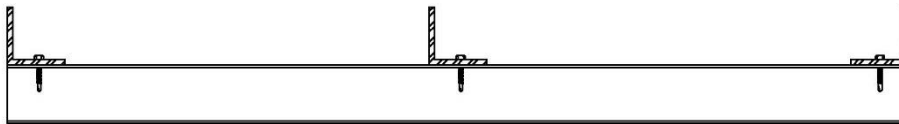
Optional Construction

Frames	Channel .081" formed aluminum		
Fasteners	Welded Construction		
	Stainless Steel Fasteners		
Screen	.050" x 3/4" expanded aluminum		
	.063" x 1/2" wire mesh Bird Screen		
	18 x 16 Insect screen Insect Screen		
Finish	Prime coat		
	Baked enamel		
	Powder coat		
	Kynar 500	2 Coat	3 Coat
	Anodized	Clear	Color
Frame Accessories	Pan		
	Extended sill		

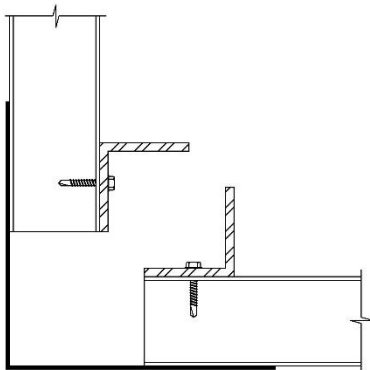


Frontal view

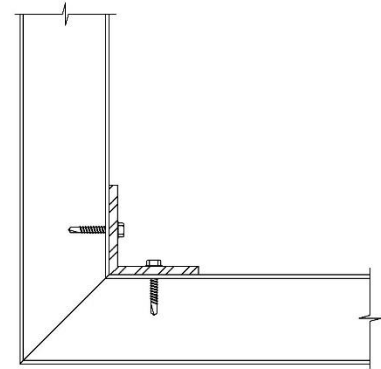
Vertical View



Horizontal View



Post Corner



Mitered Corner

Louver Schedule

Item	Qty	Opening Size (W x H)	Notes	Project:	
				Location:	
				Arch/Eng:	
				Customer:	